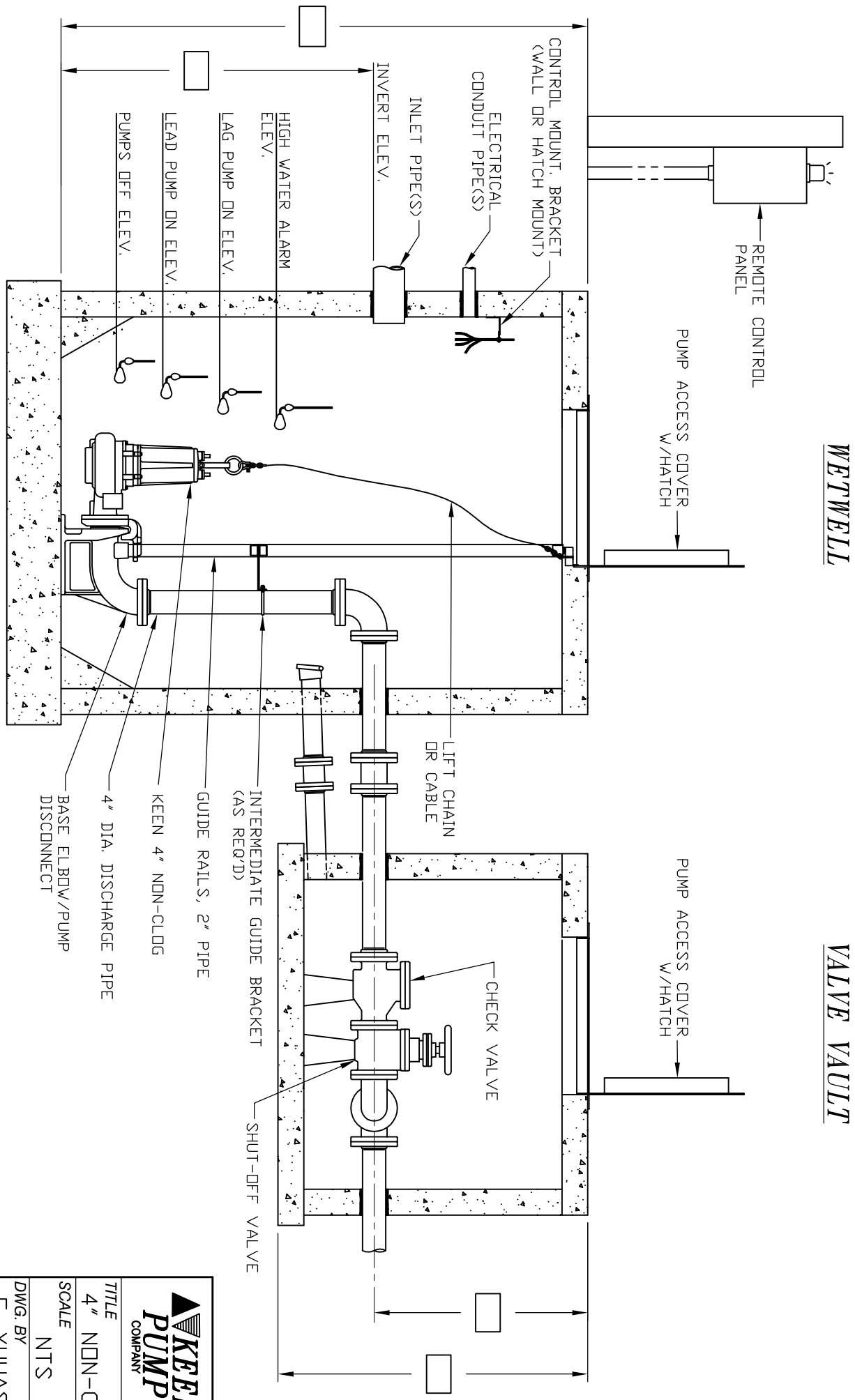
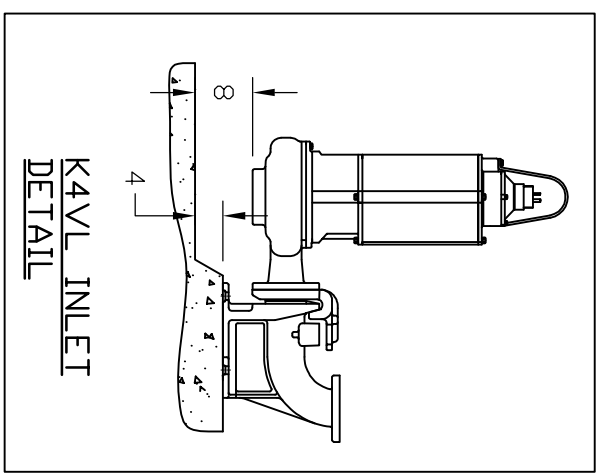


4" NON-CLOG RAIL MOUNTED PUMPS (DUPEX LIFT STATION - MANUFACTURERS RECOMMENDATIONS)						
PUMP	LIFTOUT MODEL	"A" DIA.	"B" SPACING	"C" CLEAR DPNG.	"D" CLEAR DPNG.	"E" OFFSET
K4R	KL4	60"	13"	42"	24"	12"
K4V	KL4	72"	13"	48"	30"	12"
K4VL	KL4	72"	13"	48"	36"	12"



REVISIONS		
REV	INITIALS	DATE
A	FV	

**KEEN PUMP COMPANY**  
**KEEN PUMP CO.**  
 1661 CLEVELAND AVE.  
 ASHLAND, OHIO 44805  
 PHONE: 419-207-9400  
 FAX: 419-207-8031

**TITLE**  
 4" NON-CLOG DUPLEX INSTALLATION

**SCALE**  
 NTS

**DWG. BY**  
 F. YUHASSZ

**DATE**  
 9/12/08

**DWG. #**  
 KN-9

**REV.**  
 A