

KEEN PUMP CO.

The Premier Pump Choice

"KER" KEEN E/One® Replacement

**Grinder Pump Retro-Fit Systems for
E/One® 200 & 2000 Series Packages**



FEATURES:

- * Optional Centrifugal or Progressive Cavity Pump
- * Fully Assembled - Simple & Quick Install
- * Pressed in, Heavy-Duty 208/230V Motor
- * Superior Dual Silicon Carbide Seals
- * 3-Bearing Design
- * Internal Start Components (No Control Box Req'd)
- * Stainless Steel Pipe & Discharge Elbow
- * Optional Floats or Pressure Controls
- * No Modifications to Existing System
- * Operates with Existing Control Panel
- * Superior Pump Performance - More FLOW
- * Reliable Operation
- * Reduce Maintenance and Save \$

 **KEEN PUMP CO.**

The Premier Pump Choice

471E State Route 250 East · Ashland, Ohio 44805
419.207.9400 fax 419.207.8031
www.keenpump.com

E/One® is a registered trademark of Environment One Corporation and is not affiliated with Keen Pump Company, Inc.

"KER" KEEN E/One® Replacement

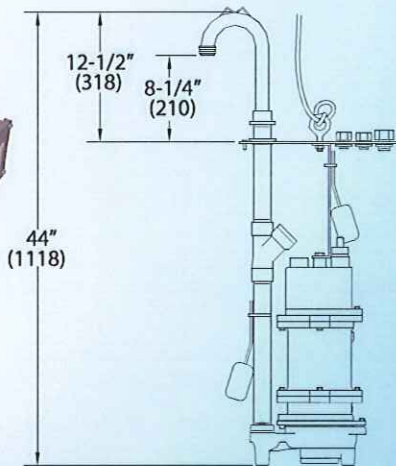
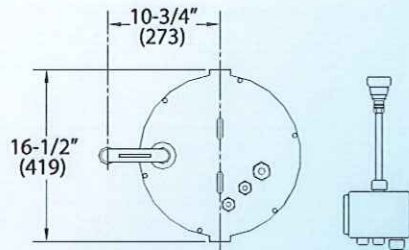
Grinder Pump Retro-Fit Systems for E/One® 200 & 2000 Series Packages

Model	HP	Volts	Amps	Hertz	Weight
KHG2-21C	2	208/230	12.8	60	130
KPCG-21C	1	208/230	8.0	60	135



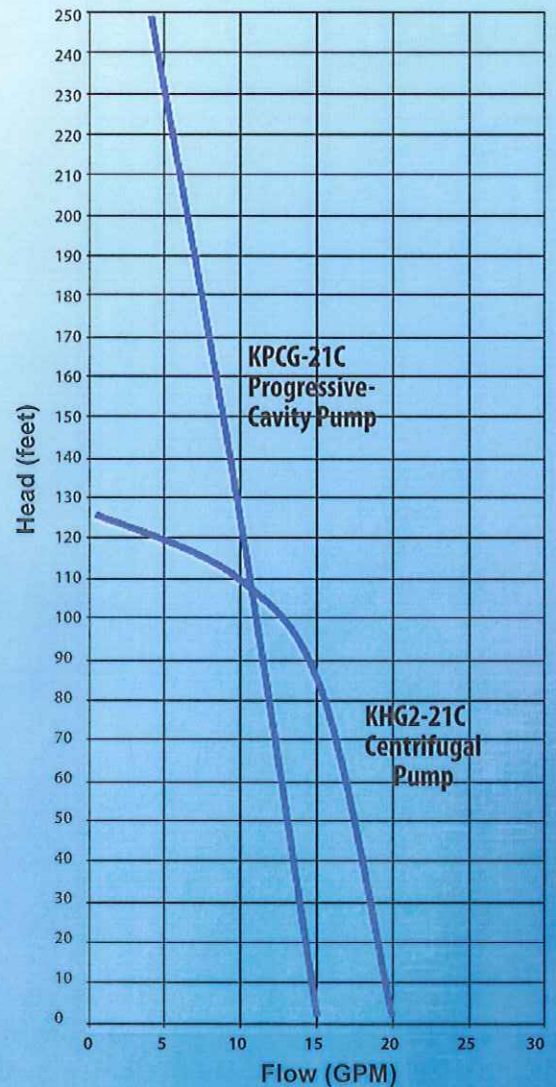
KPCG-21C Progressive-Cavity Pump

Dimensions



KHG2-21C Centrifugal Pump

Performance



KEEN PUMP CO.

The Premier Pump Choice

471E State Route 250 East · Ashland, Ohio 44805
419.207.9400 fax 419.207.8031
www.keenpump.com

E/One® is a registered trademark of Environment One Corporation and is not affiliated with Keen Pump Company, Inc.